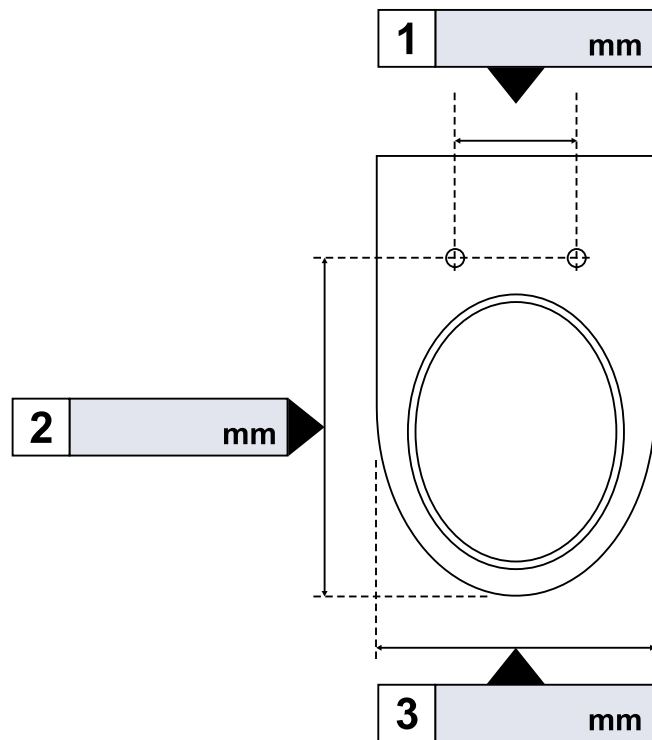


Guide for measuring

Not every WC seat and bowl match!

Prior to Purchasing and Mounting - Please note that WC bowls are not standardise with regard to their width, their bearing surface or diameter. Therefore, before you purchase a WC seat you should measure the precise dimensions of the bowl.

- 1** The distance between the hinge mounting holes (hole center to hole center)
- 2** The distance between the holes and the front edge of the bowl (hole center to front edge)
- 3** The width of the bearing surface of the bowl (outside edge to outside edge)
- 4** The bowl shape (please tick appropriate box)
- 5** Bottom / Top mounted (please tick appropriate box)



> PDF-Download

On our website www.mkw-sanitary.at you will find the form, which you can fill out and send us back online.

