

# Toilet seat KOMPAKT Monarch

R500-0001 Height = 60 mm  
 R501-0001 Height = 100 mm  
 R502-0001 Height = 100 mm KOMPAKT Monarch with cover white



Production since 2008

MKW toilet seat lifter, model KOMPAKT Monarch made from polypropylene.

- Quick and easy to remove and remount
- Available in two different heights
- Regular toilet seat is mounted
- Also suitable for travelling
- Active aid at reduced mobility (e.g. after hip operation, ...)

## • MAXIMUM WEIGHT UP TO 150 KG

### Specifications:

- Height R500-0001 ..... 73 mm / 58 mm
- Height R501-0001 ..... 113 mm / 98 mm
- Height R502-0001 ..... 113 mm / 98 mm
- 4 clamps with rubber pads, adjustable

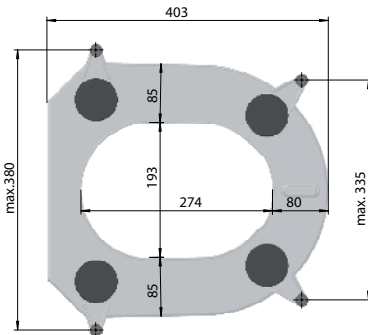
### • Weight packed

- R500-0001 ..... 1,66 kg
- R501-0001 ..... 2,02 kg
- R502-0001 ..... 2,78 kg

### Material:

- Toilet seat ..... Polypropylene, smooth surface
- Clamps ..... ABS/PC

**Packaging** ..... Neutral single cardboard box,  
 470 x 400 x 155 mm



Spec in parenthesis = Height 60 mm

### Spare parts:



**R500-0000**

**KOMPAKT Monarch clamps**, Set includes 2 clamps with rubber pads (4 clamps are needed for one seat)



**R500-1000**

**KOMPAKT Monarch friction bushing**