



Toilet seat EURO 6000

B210-0201 with cover with VARIO stainless steel hinge
 B210-1601 without cover with VARIO stainless steel hinge
 white

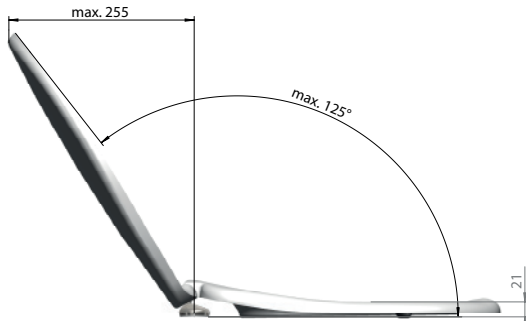
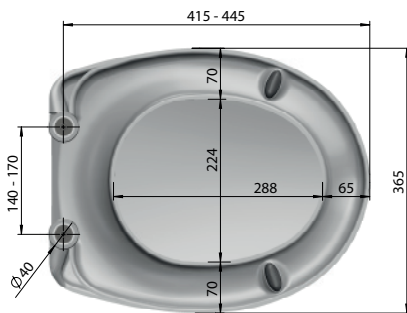
Functions:



Production since 2003

MKW toilet seat with/without cover, model EURO 6000 made from duroplastic with VARIO stainless steel hinge.

- Antibacterial effect due to antiseptic additives in raw materials
- Adjustable hinge for perfect match on the ceramic bowl
- The toilet seat can be installed both from above and below



Specifications:

- Distance between hinges 140 - 170 mm
- Height 63 mm
- Each 2 elliptical buffers at ring and cover

Weight packed

B210-0201 2,58 kg
 B210-1601 1,37 kg

- Weight - ring 1,00 kg
- Weight - cover 1,20 kg

Hinges:

- Standard hinge B949-0099 VARIO Stainless steel hinge with cover
 B949-0298 VARIO Stainless steel hinge without cover

Material:

- Toilet seat Solid-coloured duroplastic with antiseptic antibacterial additives
- Buffer TPE (thermoplastic Elastomer)
- Standard hinge Stainless steel

Packaging MKW single cardboard box, 490 x 390 x 70 mm

Service parts Page 29 ff