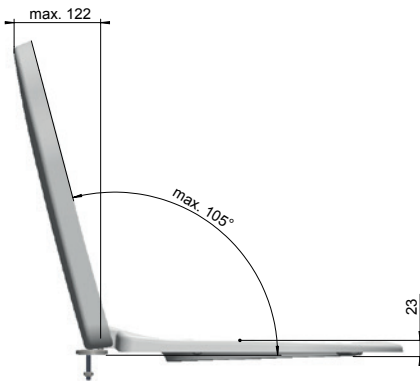
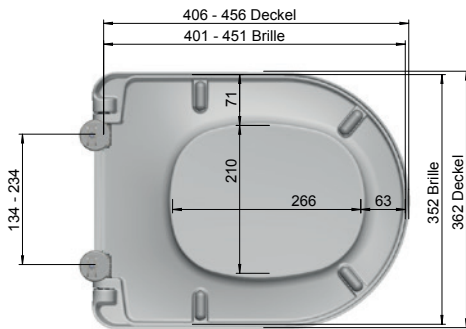




Toilet seat DARIO Plus

AC10-0A01 with cover with Push stainless steel hinge
white

Functions:



Production since 2009
New hinge in 2015.

MKW toilet seat with cover, model DARIO Plus made from duroplastic with Push stainless steel hinge.

- Seat and cover close slowly and automatically with just a gentle tap
- Quick and easy to remove and remount
- Antibacterial effect due to antiseptic additives in raw materials
- Adjustable hinge for perfect match on the ceramic bowl
- The toilet seat can be installed both from above and below
- Cover-up model

Specifications

- Distance between hinges 134 - 234 mm
- Height..... 50 mm
- 4 Buffers at ring
- 2 Round buffers at cover
- Weight packed.....2,34 kg
- Weight - ring0,79 kg
- Weight - cover 1,14 kg

Hinges:

- Standard hinge B9AC-0099 Push stainless steel hinge

Material:

- Toilet seat Solid-coloured duroplastic with antiseptic antibacterial additives
- Buffer TPE (thermoplastic Elastomer)
- Standard hinge Stainless steel

Packaging..... MKW single cardboard box,
490 x 390 x 60 mm

Service parts Page 29 ff