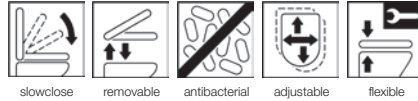




Toilet seat AIDA Plus

C7A0-0A01 with cover with push stainless steel hinge
white

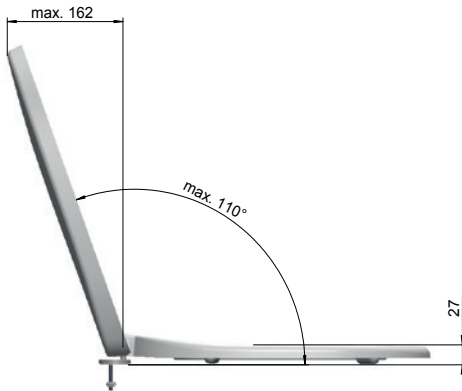
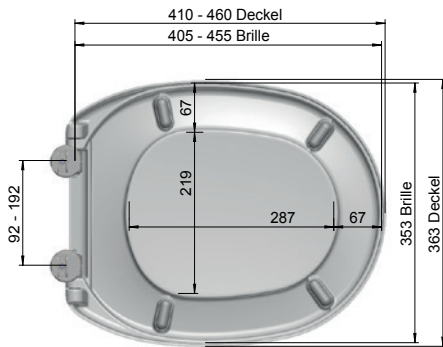
Functions:



Production since 2014

MKW toilet seat with cover, model AIDA Plus made from duroplastic with push stainless steel hinge.

- Seat and cover close slowly and automatically with just a gentle tap
- Quick and easy to remove and remount
- Antibacterial effect due to antiseptic additives in raw materials
- Adjustable hinge for perfect match on the ceramic bowl
- The toilet seat can be installed both from above and below
- Cover-up model



Specifications:

- Distance between hinges 92 - 192 mm
- Height..... 51 mm
- 4 Buffers at ring
- 2 Round buffers at cover

- Weight packed.....2,15 kg
- Weight - ring0,70 kg
- Weight - cover 1,01 kg

Hinges:

- Standard hinge..... B9AC-0099 Push stainless steel hinge

Material:

- Toilet seat Solid-coloured duroplastic with antiseptic antibacterial additives
- BufferTPE (thermoplastic Elastomer)
- Standard hinge.....Stainless steel

Packaging.....MKW single cardboard box,
490 x 390 x 60 mm

Service partsPage 29 ff