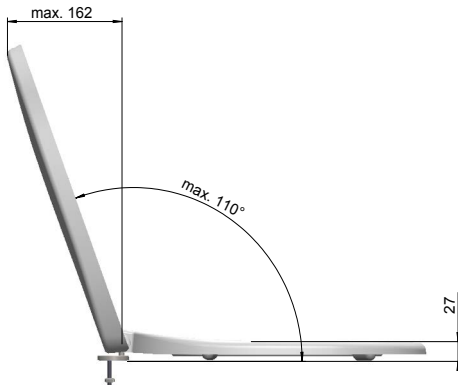
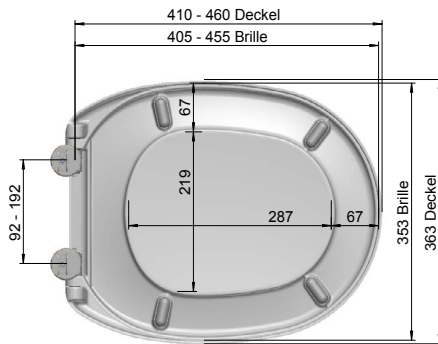
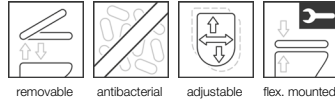




# WC-seat AIDA Basic

C7AA-0A01 with cover with push stainless steel hinge  
white

## Functions:



Production since 2017

MKW WC-seat with cover, model AIDA Basic made from duroplastic with push stainless steel hinge.

- Quick and easy to remove and remount
- Antibacterial effect due to antiseptic additives in raw materials
- Adjustable hinge for perfect match on the ceramic bowl
- The toilet seat can be installed both from above and below
- Cover-up cover

## Specifications:

- Distance between hinges ..... 92 - 192 mm
- Height..... 51 mm
- 4 Buffers (ring) at toilet seat
- 2 Round buffers at cover

- Weight not packed..... 1,98 kg
- Weight packed..... 2,22 kg
- Weight in parts - toilet seat..... 0,73 kg
- Weight in parts - cover ..... 1,01 kg

## Hinges:

- Standard hinge ..... B9AC-0099 Push stainless steel hinge

## Material:

- Toilet seat ..... Sold-coloured duroplastic with antiseptic antibacterial additives
- Buffer ..... TPE (thermoplastic Elastomer)
- Standard hinge ..... Stainless steel

**Packaging** ..... MKW single cardboard box,  
490 x 390 x 60 mm

**Service parts** ..... Page 28 ff