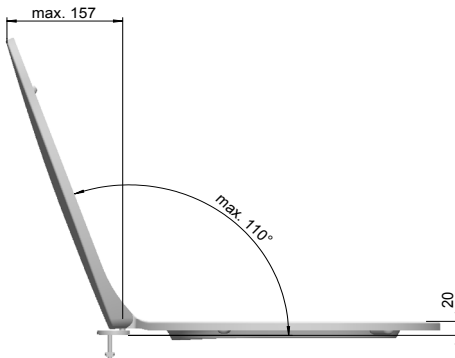
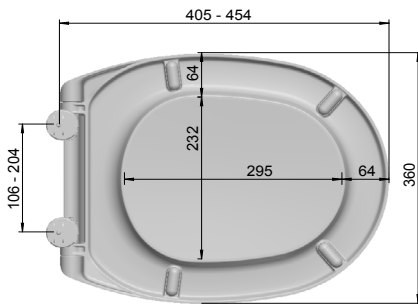
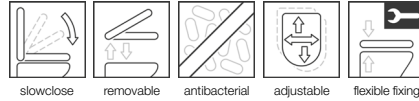




# WC-seat STUDIO FL

BA00-0A01 with cover with Push-stainless steel hinge

## Functions:



Production since 2016, perfect match on most bowls

MKW WC-seat with cover, model STUDIO FL made from duroplastic with Push-stainless steel hinge.

- Seat and cover close slowly and automatically with just a gentle tap
- Quick and easy to remove and remount
- Antibacterial effect due to antiseptic additives in raw materials
- Adjustable hinge for perfect match on the ceramic bowl
- The toilet seat can be installed both from above and below
- Slim design

## Specifications:

- Distance between hinges ..... 106 - 204 mm
- Height ..... 48 mm
- 4 Buffers (ring) at toilet seat
- 2 Round buffers at cover
- Weight not packed ..... 2,06 kg
- Weight packed ..... 2,30 kg
- Weight of parts - toilet seat ..... 0,75 kg
- Weight of parts - cover ..... 1,10 kg

## Hinges:

- Standard hinge ..... B9AC-0099 Push-stainless steel hinge

## Material:

- Toilet seat ..... Sold-coloured duroplastic with antiseptic antibacterial additives
- Buffer ..... TPE (thermoplastic elastomer)
- Standard hinge ..... Stainless steel

**Packaging** ..... MKW single cardboard box,  
480 x 385 x 75 mm

**Service parts** ..... Page 28 ff